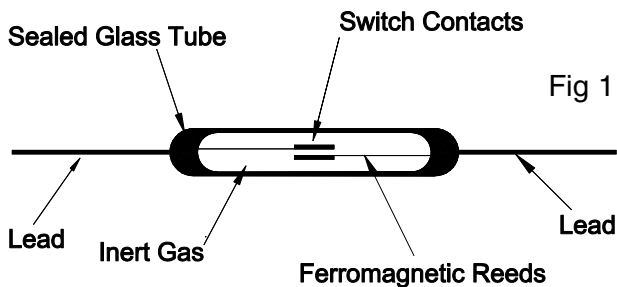


PRECAUTIONS IN THE APPLICATION OF REED SWITCHES

TECHNICAL DATA SHEET 1

Many of Kelco Engineering's products use reed switches as the principal switching element. Reed switches offer major advantages over alternate types of switches including very high reliability and long stable life. To obtain their full benefits, reed switches need to be correctly applied. If they are overloaded or misapplied, they can be easily damaged or destroyed.

Reed switches consist of a sealed glass tube filled with an inert gas. Two separate ferromagnetic reeds are arranged within the tube with their tips parallel and very close together, but not quite touching. When a magnet is brought near a reed switch, the two reeds adopt opposite magnetic polarity, and are drawn together, thus closing the switch. The amount of movement of the reeds in the presence of a magnet is very small, and the flexing of the reeds is kept well within the elastic limits of their materials of construction. The result is a switch that potentially has an exceptionally long life. In most reed switches the glass housing is sealed and pressurised with an inert gas. The gas prevents oxidation of the reeds and increases the break down voltage of the switch.



BASIC REED SWITCH LAYOUT

- Reed switches offer an infinitely high resistance when their contacts are open, in other words they give complete galvanic separation of the contacts.
- Very low resistance when the contacts are closed.
- Very high reliability, given they are correctly applied.
- Very low resistance drift over time, as the contacts are not prone to oxidation, due to the inert atmosphere within the switch.
- They contain no mechanism for the storage of electrical energy, and are therefore excellent as control devices in hazardous applications.

Reed switches are ideal for computer or PLC applications, and for all types of signalling in electronic controllers, timers and telemeter systems. In addition they are suitable for control of small relays and solid-state relays. Reed switches are not suitable for control of inductive loads such as electric motors, (even very small DC motors). They are also not suitable for control of high wattage contactor or solenoid coils unless fitted with suitable arc suppression circuits. Finally they are not suitable for control of incandescent filament lamps unless great care is taken to control the cold filament inrush current that occurs on start-up.

When a reed switch is going to be used as a control device various factors need to be considered. Firstly the nature of the load should be assessed. If the load is slightly inductive (such as a small relay, solenoid or contactor), or if long cable runs are to be used, consideration should be given to employing measures to protect the reed switch. Such measures may include an interposing relay to isolate and protect the reed switch, or the use of shielded cable, or rate effect suppression circuits, or the use of a blocking diode. Mains voltage cabling running alongside unshielded signal cable can result in induced voltages in the signal cable, particularly where long cable runs are involved. In such applications shielded cable should be used.

CONTACT PROTECTION IN DC CIRCUITS

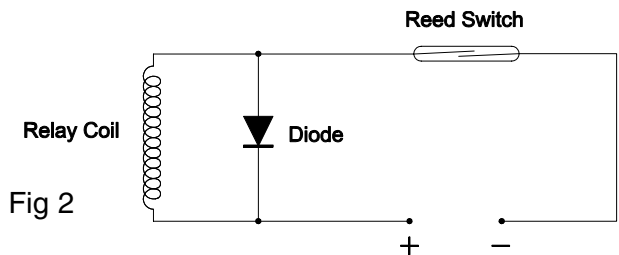


Fig 2

Fig 2 depicts typical reed switch protection in a DC application. In Fig 2, a blocking diode parallel to the inductive load (or parallel to the reed switch) is used to reduce the high reverse voltage present across the contacts when the reed switch opens. The forward breakdown voltage of the diode needs to be larger than the supply voltage, and the forward current rating of the diode should be equal to 5 times the supply voltage divided by the coil resistance, in ohms. Note that a metal oxide varistor (MOV) can be used in a similar manner.

CONTACT PROTECTION IN AC CIRCUITS

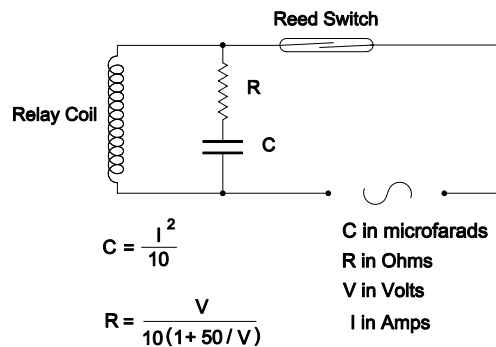
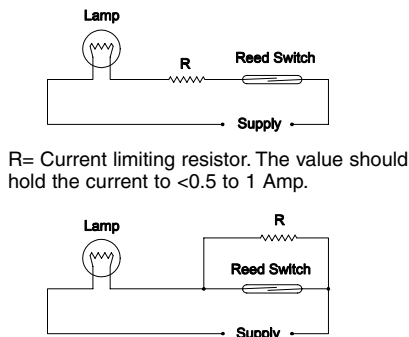


Fig 3

Fig 3 depicts a typical AC application where a series connected resistor and capacitor are placed in parallel with the inductive load. The capacitor serves as an alternate path for the destructive back voltage generated by the collapsing magnetic field within the inductive load; the back EMF is generated each time the reed switch contacts open. The series resistor acts to limit the high inrush current flowing from the capacitor back across the reed switch contacts, each time the reed switch contacts close.

CONTACT PROTECTION IN LAMP CIRCUITS



R= Current limiting resistor. The value should hold the current to <0.5 to 1 Amp.

Fig 4 R= Parallel resistance. Current flow through the resistor preheats the lamp filament and increases its resistance thus reducing the inrush current. The value of R should be less than the filament resistance divided by 3.

Fig 4 depicts typical methods for protecting reed switches in circuits where the load is a filament lamp. The cold filament inrush current in a lamp circuit, and thus across the reed switch contacts can reach 5 to 10 times the steady state hot filament current. The nature of the inrush is very similar to a capacitive load, and requires some means to reduce it if damage to the reed switch is to be avoided.

Methods used normally consist of either a series or parallel resistance, to reduce the inrush. A series resistance simply reduces the current in the whole circuit to an acceptable level. Parallel resistance provides a current path around the reed switch, and serves to hold the lamp filament at an elevated temperature (below incandescence), and therefore at a higher resistance than in its cold state.

WIRING CAPACITANCE

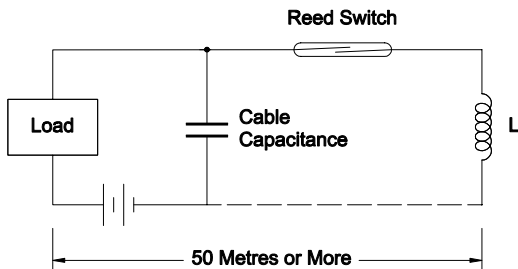


Fig 5

When reed switches and loads are connected over long distances by cable, electrostatic capacitance from within the cable can detrimentally affect the contacts of the reed switch. In such applications small inductors connected in series with the reed switch should be used as protection. Fig 5 depicts such an application, where 50 metres or greater is considered as a long cable run. The exact value of the ideal inductor to use will depend on the load current, but will typically be in the range of 0.5 to 5 mH.

CAPACITIVE LOADS

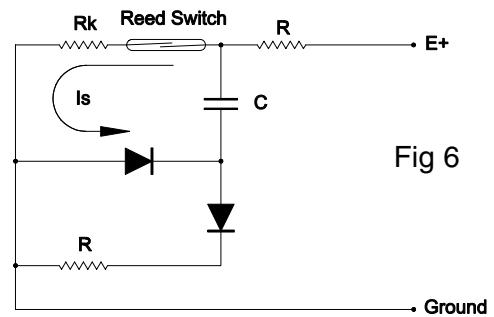


Fig 6

$$I_s = \frac{\text{Voltage stored across C}}{R_k}$$

High and instantaneous current discharge from capacitors can damage reed switch contacts. Fig 6 sets out a typical circuit in which a capacitor (C) discharges directly across a reed switch. A surge current (I_s) flows in the circuit, and unless limited by resistor (R_k), may cause damage to the reed switch contacts. The value of the resistor R_k in ohms should equal the voltage across the capacitor divided by the current (I_s), where (I_s) is <100mA.

SYMPTOMS OF PROBLEMS

Reed switches exhibit a distinct but faint pinging sound each time the contacts close. Their sound is quite distinct, and can be heard if the switch is held close to the ear and a magnet is moved close to the switch. If no sound can be heard from the reed switch when a float arm or flow switch paddle containing a magnet is moved back and forward, it may be an indication that the contacts of the reed switch have been mechanically welded closed (ON), or that the reed switch's glass housing is cracked or broken. If a reed switch exhibits closed contacts, when no magnet is close by, the contacts may be welded closed. A gentle tap with a screwdriver handle on the surface of the circuit board (not directly on the reed switch) can break apart contacts that are lightly welded.

If such a condition is evident, and it is found that the reed switch seems to function after the contacts are released, it is usually symptomatic of an overload situation. The installation should be checked over and the exact operating conditions of the reed switch noted. If the system appears to be operating within the rated limits of the reed switch, the problem may be the result of a transient condition, such as an induced voltage in the cable system, of capacitive inrush, from long cable runs. Normally in such a situation a simple diode installed across the reed switch, or a small inductor connected in series with the reed switch will generally solve the problem.

Kelco Engineering

Manufacturing division of CYNCARD PTY LTD A.B.N. 20 002 834 844

Head Office and Factory: 2/9 Powells Road BROOKVALE 2100 AUSTRALIA

Postal Address: PO Box 496 BROOKVALE NSW 2100

Phone: 61 2 (02) 9905 6425 Fax: 61 2 (02) 9905 6420

Email: sales@kelco.com.au URL: <http://www.kelco.com.au>